



INFRARED ILLUMINATORS

NIGHT VIEW UNDERWATER

WEATHERPROOF, SUBMERSIBLE



MODELS CIR0850 - 850 nm
CIR0940 - 940 nm

CAPABILITIES & FEATURES

- 0 LUX UP TO A DISTANCE, AT NIGHT, OF 50 METERS WITH MODEL CIR0850 OR 20 METERS WITH MODEL CIR0940
- WATERPROOF
- MOISTURE/CONDENSATION-FREE
- NO HEAT
- EXTREMELY RELIABLE OPERATING POWER REGULATION BUILT-IN
- AUTOMATIC LED ON/OFF
- 24 VAC HIGH POWER VOLTAGE AVAILABLE AT ANY TIME

SPECIFICATIONS

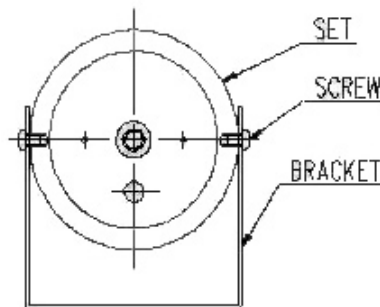
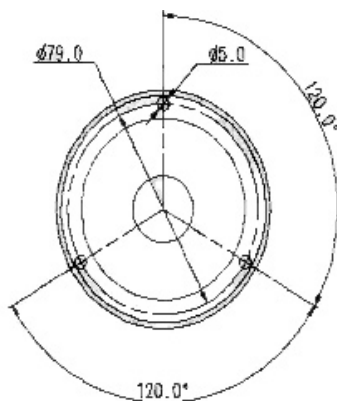
ITEM	CIR0850	CIR0940
WAVELENGTH	850 nm	940 nm
MINIMUM ILLUMINATION	LED, 0 (zero) lux with LED Day: LED Off	
LED SPECTRUM	850 nm 49 x LED 30° illumination	940 nm 49 x LED 30° illumination
IR BEAM DISTANCE	210 feet (50 meters)	84 feet (20 meters)
MTBF	20,000 hours	
POWER SOURCE	24 VAC (Tolerance: 10VAC to 30VAC)	
OPERATION CURRENT	AC: 195mA or less with regulated power in DC: 250mA or less with regulated power in	
OPERATING TEMPERATURE	14°F to 122°F (-10°C to 50°C)	
HUMIDITY	Within 90% RH	
OUTPUT TERMINAL	20 foot (6 meter) cable with DC Jack - Male for Power	
MEASUREMENT (DIAMETER x LENGTH)	2.75" x 4.72" 70mm x 120mm	
WEIGHT	0.959 lbs.(435 g) including bracket	

RECOMMENDED POWER SUPPLIES:
CVA3120 / CVA1209 / CVA2420 / CVA0090 / CVA0160

DIMENSIONS (mm)

Specifications subject to change without notice

FRONT VIEW



SIDE VIEW

